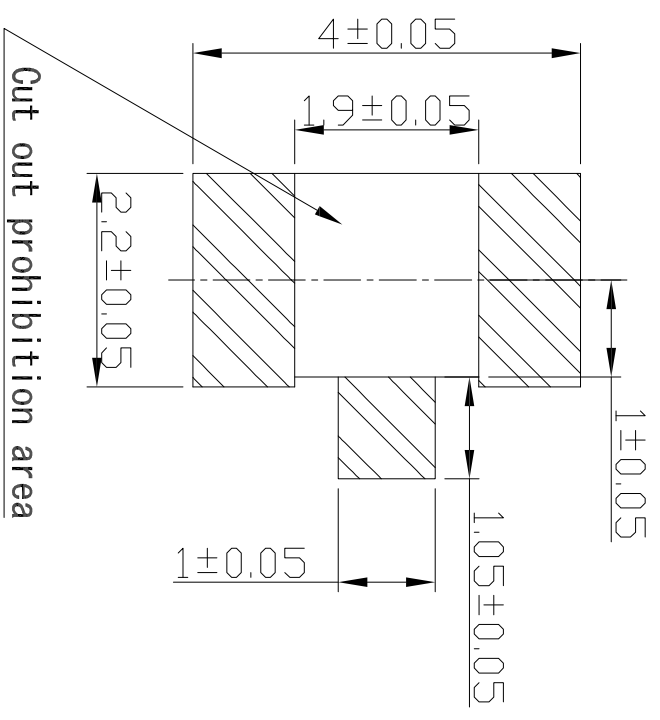
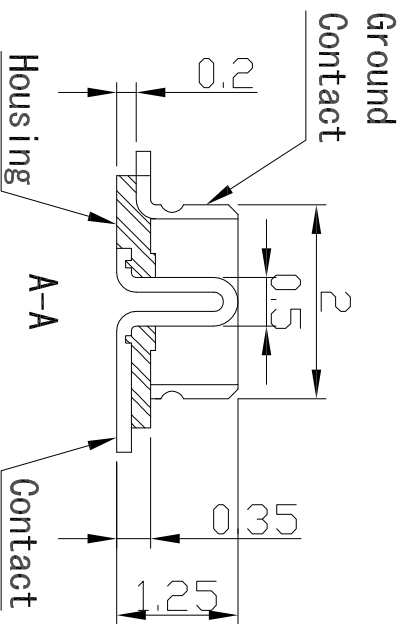
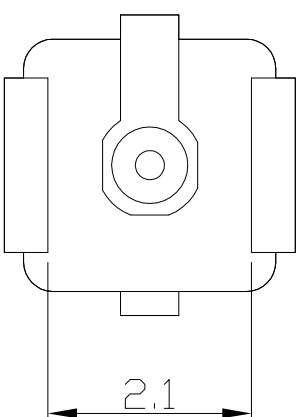
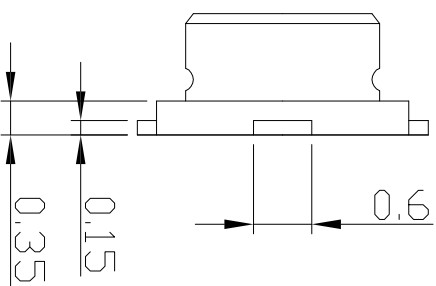
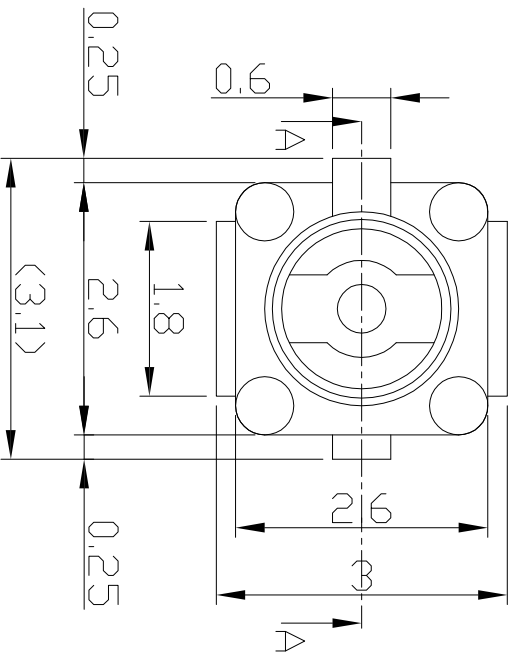


A:1代板端规格



RECOMMENDED FOOTPRINT PATTERN

| | | | | | |
|----------------|------|-------------------------|--------------|--------------|--|
| APPROVALS | | DATE | | TITLE: | |
| DRAWN | | ZHIWEI, CHEN 2015.07.07 | | GP-1A-01-01 | |
| CHECKED | | | | PART NO. | |
| APPROVALS | | | | UNIT: mm | |
| TOLERANCES ARE | | 30~φ以上 ±0.30 | | SCALE: 1:1 | |
| | | 10~30 ±0.20 | | PROJ.: | |
| | | 5~10 ±0.15 | | SHEET 1 OF 1 | |
| | | ~5 ±0.10 | | | |
| CHANGE. | | CHECK. | | APPRO. | |
| ECN NO. | REV. | DATE. | DESCRIPTION. | NEW | |
| | A | | | | |

