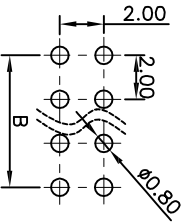
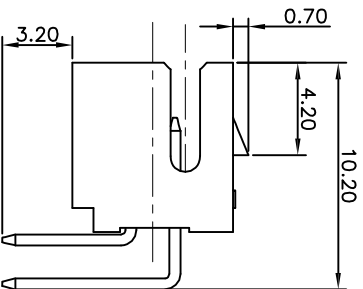
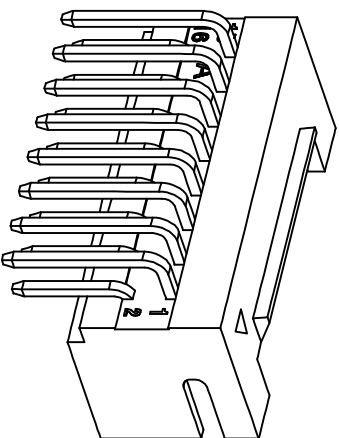


Recommended P.C.B Layout(Top Side)
P.C.B Thickness = 1.60mm
(Tolerance=±0.05)



NOTES:

CURRENT RATING:3A AC/DC,
VOLTAGE RATING:250V AC/DC
TEMPERATURE RANGE:-40°C~+105°C,
CONTACT RESISTANCE:30MΩ Max,
INSULATION RESISTANCE:1000MΩ Min,
WITHSTANDING VOLTAGE: 1000V AC/MINUTE,
MATERIAL:PA46.



PART NO.	Dimensions	
	A	B
2X04P	6.00	10.00
2X05P	8.00	12.00
2X06P	10.00	14.00
2X07P	12.00	16.00
2X08P	14.00	18.00
2X09P	16.00	20.00
2X10P	18.00	22.00
2X11P	20.00	24.00
2X12P	22.00	26.00
2X13P	24.00	28.00
2X14P	26.00	30.00
2X15P	28.00	32.00
2X16P	30.00	34.00
2X17P	32.00	36.00
2X18P	34.00	38.00
2X19P	36.00	40.00
2X20P	38.00	42.00
2X21P	40.00	44.00
2X22P	42.00	46.00

APPROVALS		DATE	TITLE:	
DRAWN	ZHWEI,CHEN	2015.07.07	GEPU 歌普	
CHECKED				
APPROVALS			PART NO.	GP01-2009WR-2X1P
TOLERANCES ARE		30~0.15	ANGLE	±2°
	10~0.20	±0.20	UNIT:	mm
	5~0.10	±0.15	SCALE:	1:1
	~5	±0.10	DRAWING NO.	
APPROVALS			PROJ.	
APPROVALS			SHEET	1 OF 1
ECN NO.	REV.	DATE.	DESCRIPTION.	
	A		NEW	